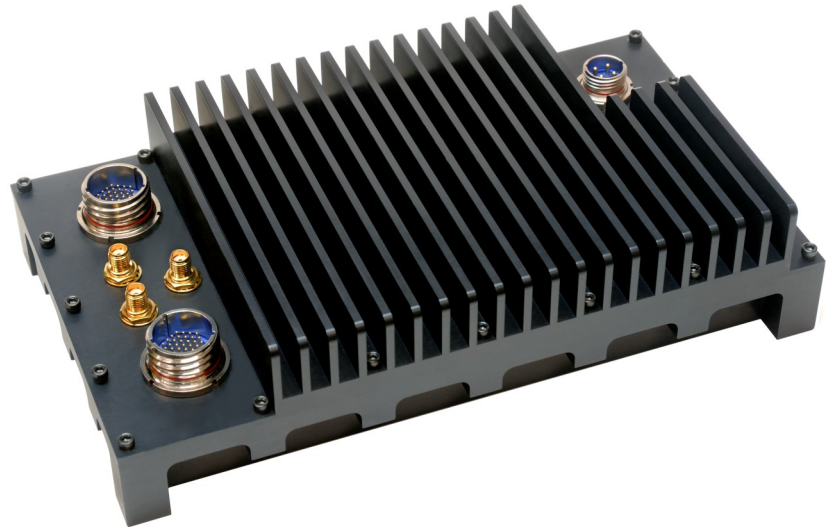


GECO Wireless Server Unit

- ◆ Rugged design for high shock, and extended temperature environments
- ◆ Wireless transfer by WiFi, GSM, CDMA, or WiMax Cellular
- ◆ Separate digital I/O, for engines and avionics
- ◆ RS422 and RS232 interfaces
- ◆ ARINC429 TX and RX
- ◆ 10/100base TX Ethernet
- ◆ Support for GPS receiver
- ◆ Standard input power to MIL-STD-704F (28VDC)
- ◆ Designed to MIL-STD-810F for rotary and fixed wing aircraft, and mobile ground vehicle environments
- ◆ EMI compliance with MIL-STD-461
- ◆ Under 5lbs



The GECO Wireless Server Unit (GWSU) is a rugged, stand-alone (LRU) designed for extreme temperature, high shock and vibration environments in airborne and ground mobile military applications. A commercially equivalent version is available for benign environments.

The GWSU acts as a configurable wireless relay point between the aircraft and a remote data site. When configured, the GWSU retrieves both engine health and usage data as well as aircraft avionics data and seamlessly upload this data to the remote data site for use in Health and Usage Monitoring Systems.

Separate I/O for engines and avionics is provided. The primary engine interface is RS422 and 10/100 Ethernet for the avionic system. Longitude and latitude location data is provided to the GWSU over an ARINC429 interface or can be obtained from the GPS receiver. Wireless transfer options include WiFi, GSM, CDMA, or WiMax cellular with transfer rates up to 10Mbps.

The GWSU can be configured with an “on ground” indicator allowing the majority of the GWSU to remain in power-down state during flight.

Customization, including mechanicals and I/O connector selection, available upon request. Please contact GECO for details.



Engineering Solutions for Critical Environments

Hardware Specification

Mechanical

- ◆ 216mm (8.5in) long x 125mm (4.9in) wide x 52mm (2in) high; volume 1404cm³ (83.3in³)
- ◆ 4.0 pounds
- ◆ Power: One Glenair 801 Series 9-4 4#16
- ◆ I/O: Two Glenair 801 Series 13-37 37#23
- ◆ Three SMA connectors

Power Supply

- ◆ Meets MIL-STD-704F
- ◆ Input voltage 28VDC
- ◆ Convection cooled
- ◆ Efficiency greater than 80 percent
- ◆ Over-voltage, over-current and in-rush protection

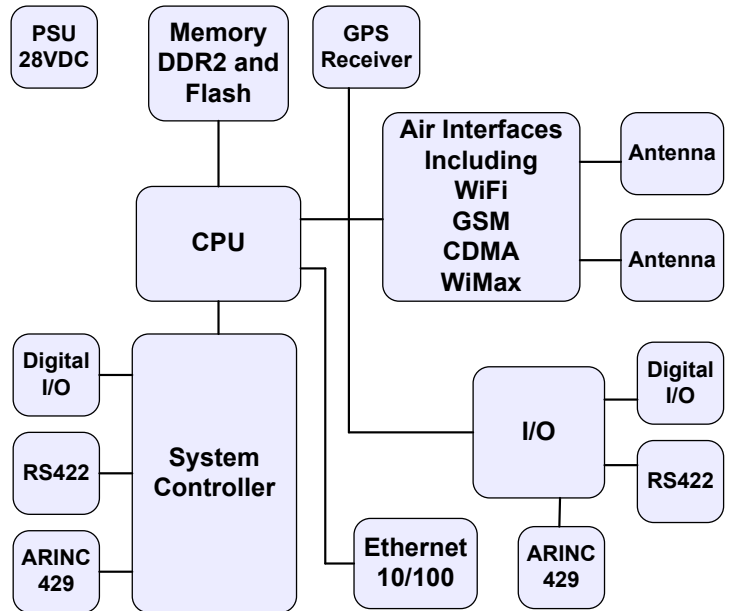
Environment

- ◆ Environmentals to MIL-STD-810F
- ◆ Salt Fog and Spray
- ◆ Fungus, Sand and Dust
- ◆ Explosive Atmosphere
- ◆ Humidity: 95% non condensing
- ◆ Altitude: -1000 ft to +25,000 ft
- ◆ Temperature: -40°C to +85°C
- ◆ Shock: 20G@11ms
- ◆ Acceleration: 6.1G all axis

Ordering Information

GWSU-x-y-z Convection cooled, Wireless Server 10/100BaseTX, RS232, RS422, ARINC 429, 28VDC

- x 1- Wheels on ground enabled
2- Wheels on ground disabled
- y, z 1-WiFi
2-GSM
3-CDMA
4-WiMax



Software Support

- ◆ Windows embedded
- ◆ LINUX

GWSU supports Windows embedded and LINUX for standards based communications with WiFi and cellular networks. The use of standard operating systems allows for easy development of custom applications specific to your needs. GECO provides you with comprehensive support throughout your product lifecycle. Different levels of support are available including: integration services, consulting, and extended warranty.

For more information on how GECO can work with you to meet your product or system needs, or offer design services to complement your own staff, please contact us.

This product overview identifies products, their specifications, and their characteristics, which may be suitable for certain applications. It does not constitute an offer to sell or a commitment of present or future availability, and should not be relied upon to state the terms and conditions, including warranties and disclaimers thereof, on which GECO may sell products. A prospective buyer should exercise its own independent judgment to confirm the suitability of the products for particular applications. GECO reserves the right to make changes, without notice, to any products or information herein which will, in its sole discretion, improve reliability, function, or design. GECO does not assume any liability arising out of the application or use of any product or circuit described herein; neither does it convey any license under its patent or other intellectual property rights or under others. This disclaimer extends to any prospective buyer, and it includes GECO's licensee, licensee's transferees, and licensee's customers and users. Availability of some of the products and services described herein may be restricted in some locations.

GECO and the Stylized GECO Logo are registered in the U.S. Trademark Office. All other product or service names are the property of their respective owners.

Geco, Inc
1754 North 48th Street
Mesa, Arizona, 85205



GECO, Inc. Email Contact: info@gecoinc.com

Tel: +1 480 222 6800 Fax: +1 480 222 6808

www.gecoinc.com